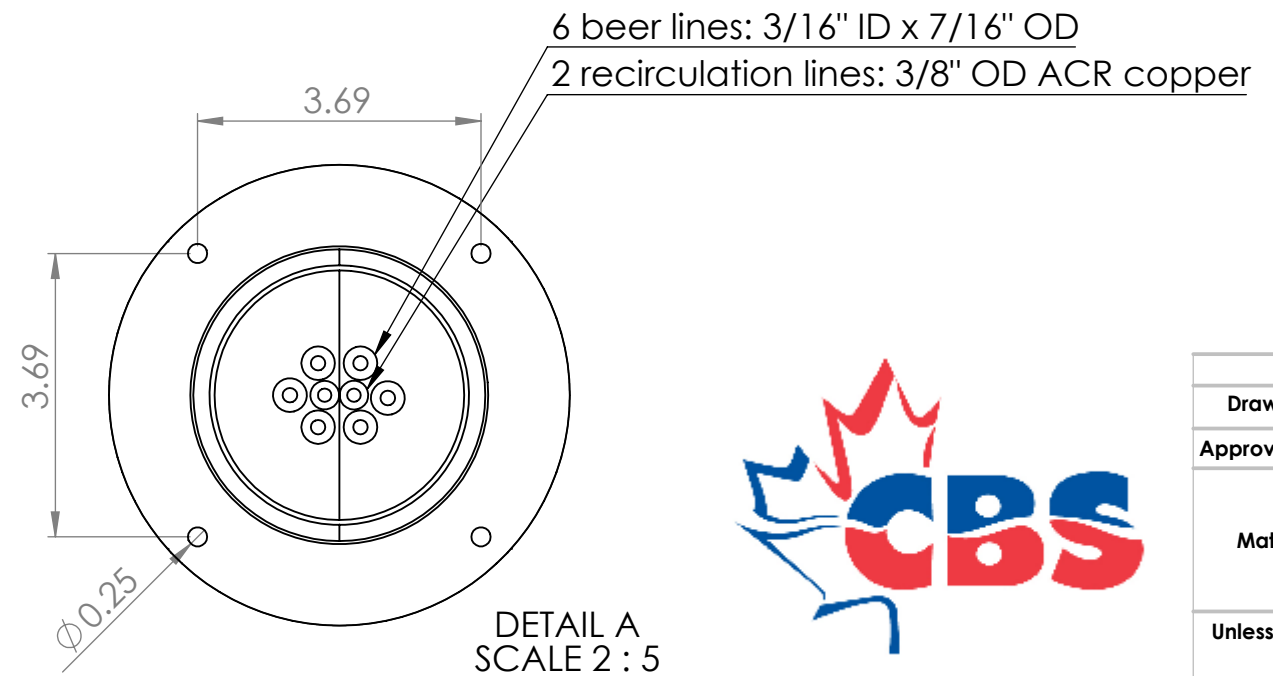
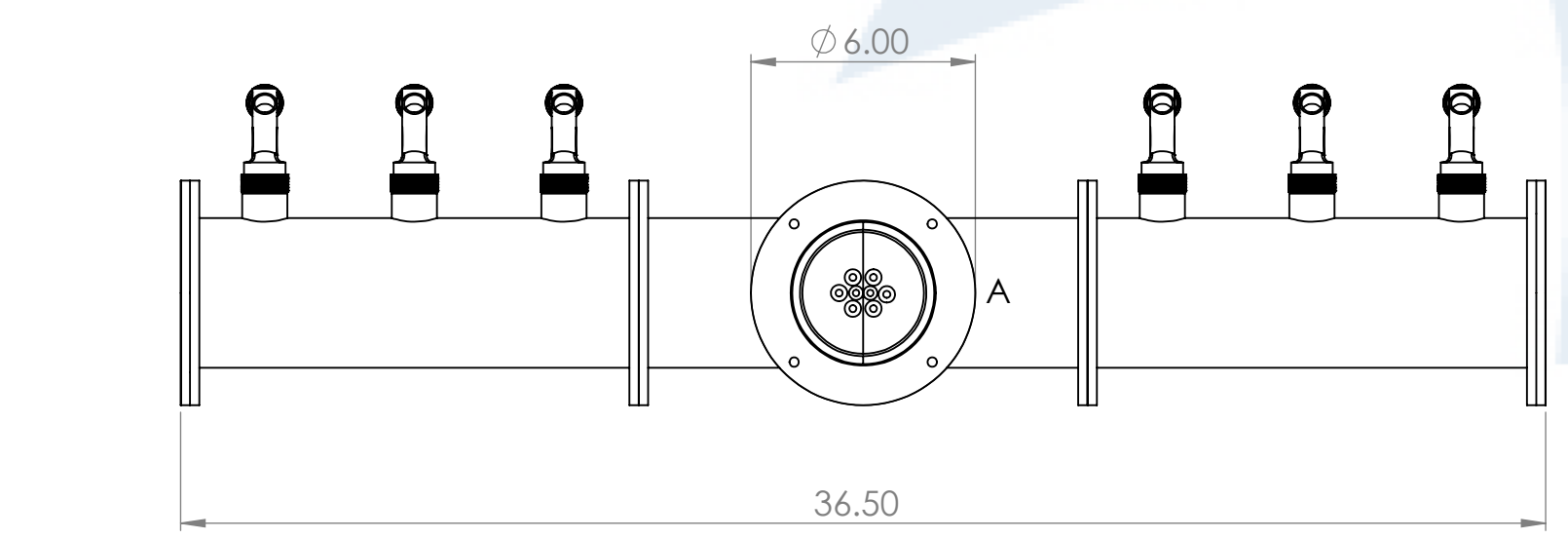


Isometric View  
(For reference purpose only)

304SS tube connected to CBS NSF Flexible Total Barrier Tubing to 15lbs of Restriction



DETAIL A  
SCALE 2 : 5

Suggested Drip Tray:  
 BB701336 - 36" x 7" BSS Drip Tray  
 BB702436 - 36" x 7" BSS Spray Drip Tray



|   |                               |            |             |                                 |     |
|---|-------------------------------|------------|-------------|---------------------------------|-----|
| Name  |                               | Date       |             | Title:                          |     |
| Drawn by:   | Canadian Beverage Supply Inc. | 08/07/2020 |             | 4" 6 Tap<br>LIT Albatross Tower |     |
| Approved by:                                      |                               | VP Sales   |             | Part Number:<br>BB102920-06SSCK |     |
| Material:   | 304 SS                        | Finish:    | Polished SS | Revision:                       |     |
| Unless otherwise mentioned, dimensions are inches |                               |            |             | SCALE:                          | 1:5 |
|   |                               |            |             | SHEET 1 OF 1                    |     |